



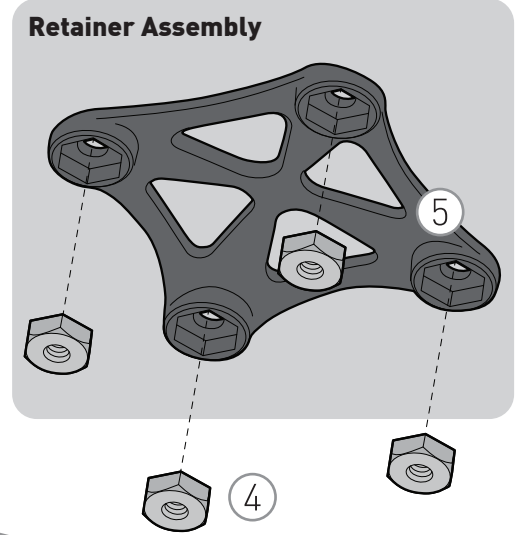
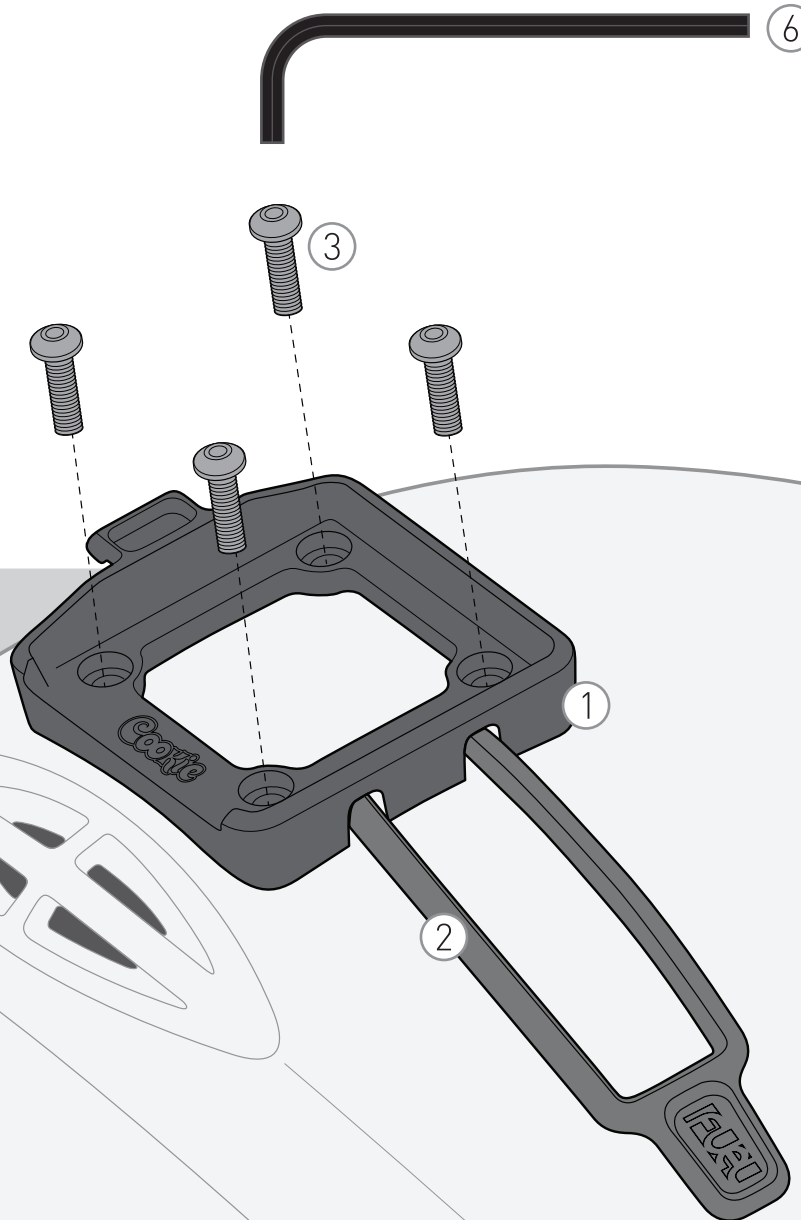
FlySight Mount Assembly

flyCookie.com

Parts: Assembly

- 1-Base
- 2-Bungee
- 3-Screws (4x)
- 4-Bolts (4x)
- 5-Retainer
- 6- Allen key

Place your base as shown below. Mark the holes and then drill them using a 5mm bit. Remember to remove the liner before doing so. Now place the nuts into the retainer's slots and finally screw the mount together. Keep your base outside and the retainer inside the helmet. Your bungee should be placed in the base's groove and the mount should have the "Cookie" logo towards the back like in the image below.



Optimal Placement

Place the base of your FlySight mount on the top of your helmet centered towards the back. If assembling on a G3 use the back vent as a reference. Leave a space of around 5mm between the vent and the mount.